

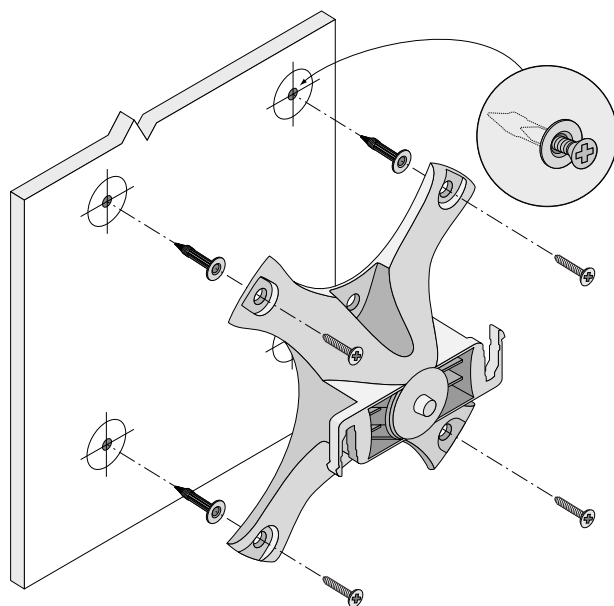


# Dell PowerConnect W-AP130 Series Wall Mount Kit Installation Guide

The W-AP130 Series Wall Mount kit allows you to mount your W-AP130 Series access point to a wall.

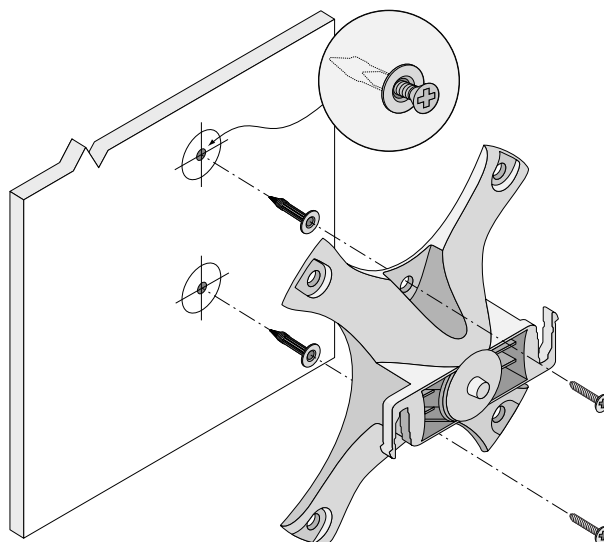
1. Begin by attaching the wall mount adapter to the wall as shown in [Figure 1](#) or [Figure 2](#).
  - a. Install any necessary wall anchors. Wall anchors are not included in this kit.
  - b. Align the screw holes in the mounting bracket with the previously installed anchors or demarcated screw points.
  - c. Insert the screws to secure the mounting bracket. Screws are not included in this kit.

**Figure 1** *Attaching the Adapter to a Wall*



AP-130\_003

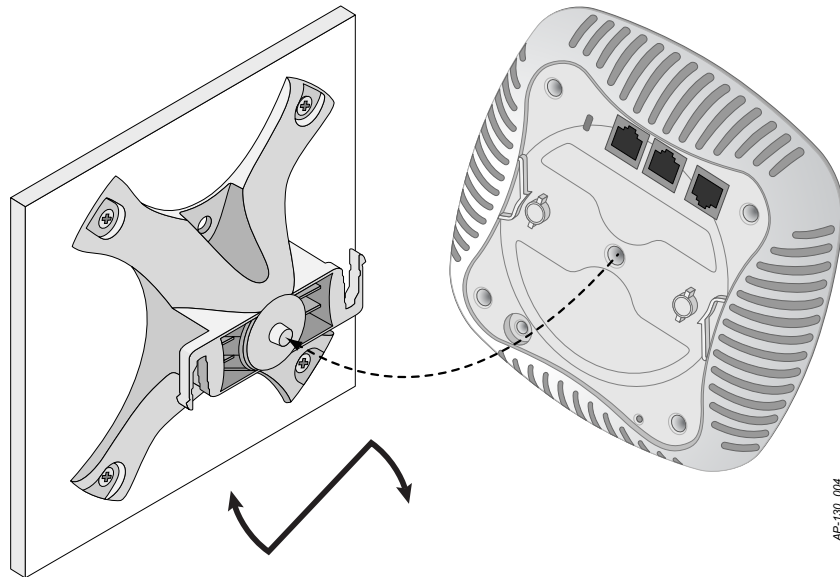
**Figure 2** *Attaching the Adapter to a Wall (Alternate)*



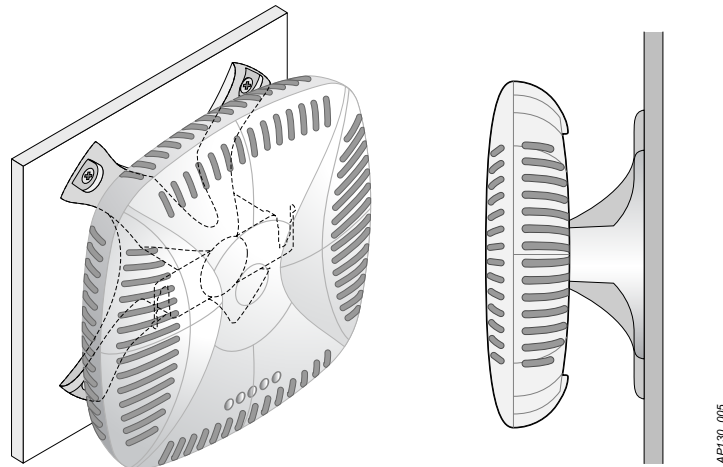
AP-130\_006

2. Attach any necessary cables and/or antennas to the AP.
3. Attach the AP to the secured mounting adapter as shown in [Figure 3](#).  
Align the AP with a mounting adapter, placing the AP so that its mounting tabs are at an angle of approximately 30 degrees to the adapter.
4. Pushing toward the wall, rotate the AP clockwise until it clicks into place (see [Figure 4](#)).

**Figure 3** Attaching the AP to the Mounting Bracket



**Figure 4** Completed Installation



**Copyright**

© 2011 Aruba Networks, Inc. Aruba Networks trademarks include  , Aruba Networks®, Aruba Wireless Networks®, the registered Aruba the Mobile Edge Company logo, and Aruba Mobility Management System®. Dell™, the DELL™ logo, and PowerConnect™ are trademarks of Dell Inc.

All rights reserved. Specifications in this manual are subject to change without notice.

Originated in the USA. All other trademarks are the property of their respective owners.

**Open Source Code**

Certain Aruba products include Open Source software code developed by third parties, including software code subject to the GNU General Public License (GPL), GNU Lesser General Public License (LGPL), or other Open Source Licenses. The Open Source code used can be found at this site:

[http://www.arubanetworks.com/open\\_source](http://www.arubanetworks.com/open_source)

**Legal Notice**

The use of Aruba Networks, Inc. switching platforms and software, by all individuals or corporations, to terminate other vendors' VPN client devices constitutes complete acceptance of liability by that individual or corporation for this action and indemnifies, in full, Aruba Networks, Inc. from any and all legal actions that might be taken against it with respect to infringement of copyright on behalf of those vendors.